

Connectors and Accessories Selection Guide

MIL-DTL-26482

For Military, Aerospace & Harsh Environments.



WE'RE MATING TECHNOLOGY WITH CONFIDENCE



www.matec.com.tr

About MATEC

MATEC Electronics is an authorized and leading distributor, that specializes on the design and custom-engineered connectors, cables and electronic interconnect solutions for Military-Aerospace, Industrial and Telecom market fields. MATEC's deep technical and commercial knowledge on it's concentrated product portfolio has made the company the chosen distributor of the customers in the region it serves, Turkey, Middle East, Africa and Eastern Europe. Headquartered in Istanbul, MATEC also has a branch office in Ankara and warehouses in Istanbul and NY, U.S.A. With it's highly experienced team, knowledge on dynamic supply chain solutions and rich inventory, MATEC has provided it's customer with the best technical and commercial service along with the quality products since it was founded in 2011. Our first priority is complete customer satisfaction. While MATEC's IPC/WHMA-A-620 certified technical team acts as design partner in your projects, the company commercial team ensures that the service given has it is highest achievable standards. Due to the fact that MATEC Electronics works with the world's well-known companies, it offers its products with proven quality to its customers. We are ISO 9001:2015 registered and dedicated to use those guidelines for your satisfaction.

Contact Us

Head Office

Ahi Evran Cad. N: 21
Kat: 4 Daire: 24
Polaris Plaza Maslak,
Sariyer, ISTANBUL

Phone: +90 212 346 16 06

Branch Office

Bestepe Mah. Nergis Sok.
Via Flat
Kat: 3 No: 7/2
Sogutozu, ANKARA

Warehouse

Tatlisu Mah.
Ersoy Sok.
No: 3
Umraniye, ISTANBUL

Phone: +90 216 365 80 10
Fax: +90 216 365 80 10



www.matec.com.tr

info@matec.com.tr



How We Serve

As a leading and authorized distributor, MATEC Electronics supports all types electrical interconnect requirements of Mil-Aero projects. MATEC is not only able to provide solutions to electronic interconnect requirements technically, but it also provides best commercial experience to it's customers with dynamic team.

5015 Series Connectors



Backshells



26482 Series Connectors

Inventory Solutions

In addition to commercial and customized harsh environment Mil-Aero series, MATEC also offers most popular qualified Mil-Spec versions for all type of your projects from it's inventory. MATEC also supports all type of connector accessory requirements like strain reliefs, backshells, heat shrink tubes and contacts, providing order-to-manufacture kit solutions.

D38999 Series Connectors



Boots



2M Series Connectors

MIL-DTL-26482 Series

Amphenol MIL-C-26482, Series 2 series provides a bayonet coupling connector with crimp rear insertable, rear releasable contacts. The series can be ordered whether with Mil or Propriety part numbers along side with optional application based accessories such as backshells, protection caps, heat shrink boots.

Temperature: -65C to +200C

Accessory Requirements: Various Backshells available for different requirements

Environmental Resistance: Wired, mated connectors with the specified accessory attached will meet the altitude immersion test specified in MIL-C-26482.

Three Point Bayonet Coupling and Five-Key Polarisation: Audible and tactile indication of full coupling

Vibration: Sixteen hours of random vibration having a range of 50 to 2,000 Hz with a 41.7G peak level

Corrosion Resistance: Rugged construction; aluminum or stainless steel components

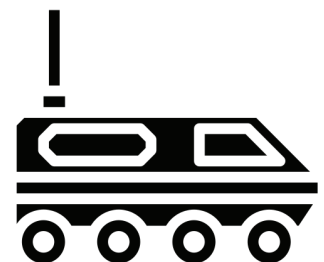
Mating Cycle: 500 couplings minimum

Service Rating	Recommended Operating AC Voltage at Sea Level	Test Voltage AC (RMS), 60 cps			
		Sea Level	50,000 ft.	70,000 ft.	110,000 ft.
I	600	1,500	500	375	200
II	1,000	2,300	750	500	200

Contact Size*	DC Test Amperage	Contact Retention Axial Load	
		lb.	N
20	7.5	15	66.7
16	13.0	25	111.2
12	23.0	30	133.4

Contact Size	Wire Range		Socket Contacts	Pin Contacts
	AWG	mm ²	Military Part Number	Military Part Number
20	24-20	0.2-0.6	M39029/5-115	M39029/4-110
16	20-16	0.5-1.4	M39029/5-116	M39029/4-111
12	14-12	2-3	M39029/5-118	M39029/4-113

Applications: Military / Harsh Environment Industrial



MIL-DTL-26482, Series II

How to Order

MILITARY DESIGNATION

MS 3740 W 12 P W BK4S B1

Connector Type: _____

MS designates Military Standard

Connector Style: _____

- 3470 Wall mounting receptacle with narrow flange
- 3472 Wall mounting receptacle with wide flange
- 3471 Cable connecting receptacle
- 3474 Jam nut receptacle
- 3476 Straight plug
- 3475 Straight plug with RFI grounding fingers

Service Class: _____

- L: Aluminum shell, electroless nickel finish, fluid resistant insert
- A: Aluminum shell, black anodized finish, non-conductive fluid resistant insert
- W: Aluminum shell, olive drab cadmium plated, fluid resistant insert (Ref. MIL-C-26482)

Note: For stainless steel shell, passivated, order by Amphenol proprietary Class G Class L inactive order classes E and R

Shell Size & Insert Arrangement: _____

(Please see Insert Arrangement Page)

Contact Type: _____

- P designates pin
- S designates socket
- A designates less pins
- B designates less sockets

Note: Use A & B only when other a full complement of power contacts is to be installed

Insert Rotation: _____

"W", "X", "Y", "Z", designates that insert is rotated in it's shell from normal position. No letter required for normal (no rotation) position. See page 4 for description of alternate positions.

Note: For ordering information on accessories, such as protection caps and backshell hardware, contact factory.

Backshell Type: _____

- BK4S: Straight Direct Coupling EMI Backshell with Contact Force Spring and Conductive Tape
- *Omit for no backshell

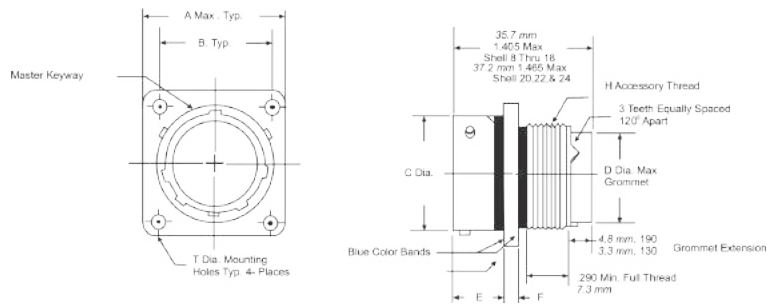
Boot Type: _____

- B1: Straight Boot
- B2: 90 Degree Boot
- *Omit for no boot

MIL-DTL-26482 Series II

Wall Mounting Receptacle With Narrow Flange

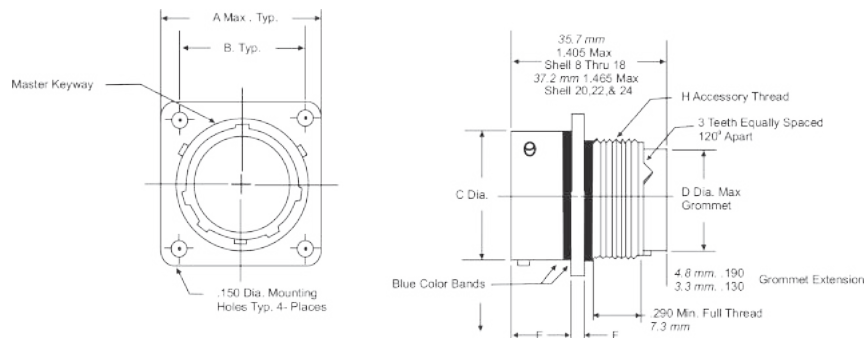
MS3470



Shell Size	A Max.	B ±.005	C Dia. ±.003	D Dia Max.	E	F ±016	H Accessory Thread Class 2A	T ±.005
8	21.0	15.0	12.0	07.7	11.7/10.9	1.6	.5000-20 UNF	3.0
10	24.2	18.3	15.0	10.3	11.7/10.9	1.6	.6250-24 UNEF	3.0
12	26.6	20.6	19.0	13.5	11.7/10.9	1.6	.7500-20 UNEF	3.0
14	29.0	23.0	22.1	16.9	11.7/10.9	1.6	.8750-20 UNEF	3.0
16	31.3	24.6	25.3	20.1	11.7/10.9	1.6	1.0000-20 UNEF	3.0
18	33.7	27.0	28.5	22.1	11.7/10.9	1.6	1.0625-18 UNEF	3.0
20	37.0	29.4	31.5	25.2	14.9/14.1	2.4	1.1875-18 UNEF	3.0
22	40.0	31.7	34.9	28.4	14.9/14.1	2.4	1.3125-18 UNEF	3.0
24	43.2	35.0	38.0	31.6	15.7/14.9	2.4	1.4375-18 UNEF	3.7

Wall Mounting Receptacle With Wide Flange

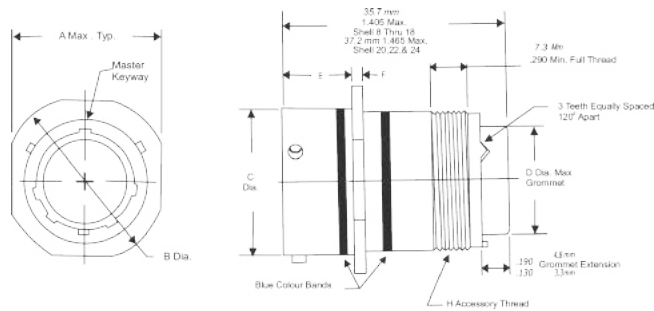
MS3472



Shell Size	A Max.	B ±.005	C Dia. ±.003	D Dia Max.	E	F ±016	H Thread Class 2A
8	27.1	18.6	11.9	7.7	11.7/10.9	1.5	.50000-20 UNF
10	29.0	20.6	14.9	10.3	11.7/10.9	1.5	.6250-24 UNEF
12	32.1	23.8	19.0	13.5	11.7/10.9	1.5	.7500-20 UNEF
14	34.5	26.1	22.1	16.9	11.7/10.9	1.5	.8750-20 UNEF
16	36.9	28.6	25.3	20.0	11.7/10.9	1.5	1.0000-20 UNEF
18	38.9	30.5	28.5	22.0	11.7/10.9	1.5	1.0625-18 UNEF
20	42.9	32.9	31.7	25.3	14.9/14.1	2.3	1.1875-18 UNEF
22	44.8	34.9	34.8	28.4	14.9/14.1	2.3	1.3125-18 UNEF
24	48.0	38.1	38.0	31.6	15.7/14.9	2.3	1.4375-18 UNEF

MIL-DTL-26482 Series II Cable Connecting Receptacle

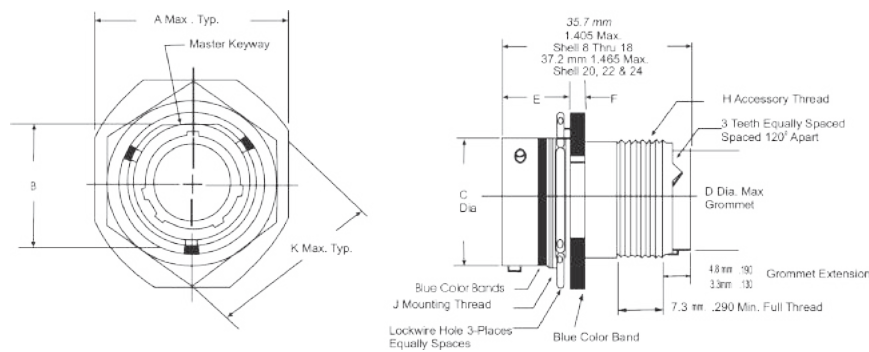
MS3471



Shell Size	A Max.	B Dia. ±.020	C Dia. ±.003	D Dia. Max.	E	F ±016	H Thread Class 2A
8	21.0	23.8	12.0	7.7	11.7/10.91	1.6	.5000-20 UNF
10	24.2	27.0	14.9	10.2	11.7/10.9	1.6	.6250-24 UNEF
12	26.6	29.3	18.8	13.5	11.7/10.9	1.6	.7500-20 UNEF
14	29.0	31.7	22.1	16.9	11.7/10.9	1.6	.8750-20 UNEF
16	31.3	34.1	25.3	20.0	11.7/10.91	1.6	1.0000-20 UNEF
18	33.7	36.5	28.5	22.1	11.7/10.9	1.6	1.0625-18 UNEF
20	36.9	39.7	31.7	25.2	14.9/14.1	2.4	1.1875-18 UNEF
22	40.0	42.9	34.9	28.42	14.9/14.1	2.4	1.3125-18 UNEF
24	43.2	46.0	38.0	31.6	15.7/14.9	2.4	1.4375-18 UNEF

Jam-Nut Receptacle

MS3474

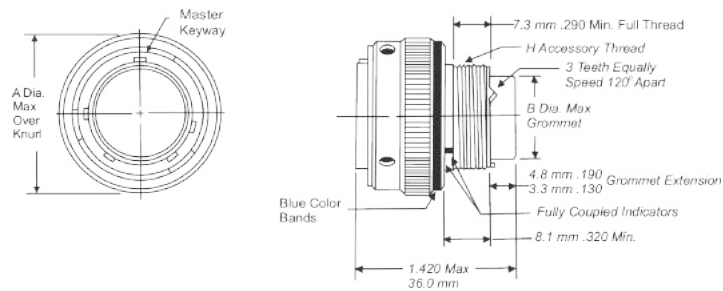


Shell Size	A Max.	B Dia. ±.005	C Dia. ±.003	D Dia. Max.	E	F	H Accessory Thread Class 2A	J Mounting Thread Class 2A	K Max.
8	24.2	13.3	12.0	7.7	17.9/17.7	2.8/2.1	.5000-24 UNF	.5625-24 UNEF	19.5
10	27.4	16.5	15.0	10.3	17.9/17.7	2.8/2.1	.6250-24 UNEF	.6875-24 UNEF	22.6
12	32.1	20.6	19.0	13.4	17.9/17.7	2.8/2.1	1.7500-20 UNEF	.8750-20 UNEF	27.4
14	35.3	23.8	22.2	16.9	17.9/17.7	2.8/2.1	.8750-20 UNEF	1.0000-20 UNEF	30.6
16	38.5	27.0	25.3	20.0	17.9/17.7	2.8/2.1	1.0000-20 UNEF	1.1250-18 UNEF	33.7
18	41.7	30.1	28.5	22.1	17.9/17.7	2.8/2.1	1.0625-18 UNEF	1.2500-18 UNEF	37.0
20	46.4	33.3	31.7	25.2	19.6/18.3	3.7/2.4	1.1875-18 UNEF	1.3750-18 UNEF	40.1
22	49.6	36.5	34.9	28.4	19.6/18.3	3.7/2.4	1.3125-18 UNEF	1.5000-18 UNEF	43.3
24	52.7	39.6	38.0	31.6	19.6/18.3	3.7/2.4	1.4375-18 UNEF	1.6250-18 UNEF	46.4

MIL-DTL-26482 Series II

Straight Plug

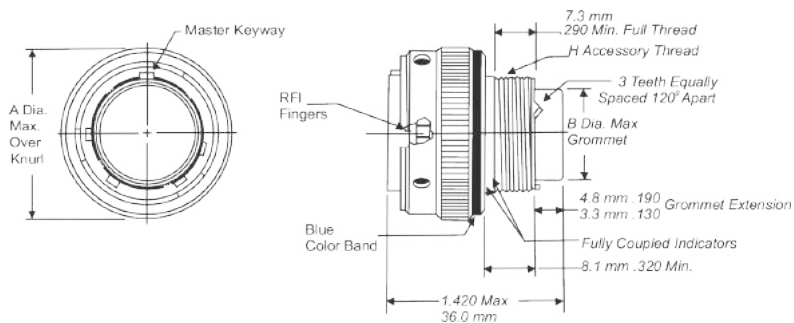
MS3476



Shell Size	A Dia Max.	B Dia Max.	H Accessory Thread Class 2A
8	19.8	3.1	-5000-20 UNF
10	23.5	10.2	.6250-24 UNEF
12	26.5	13.5	.7500-20 UNEF
14	30.0	16.9	.8750-20 UNEF
16	33.1	20.0	1.0000-20 UNEF
18	35.3	22.0	1.0625-18 UNEF
20	38.9	25.2	1.1875-18 UNEF
22	42.0	28.4	1.3125-18 UNEF
24	45.1	31.5	1.4375-18 UNEF

Straight Plug With RFI Grounding Fingers

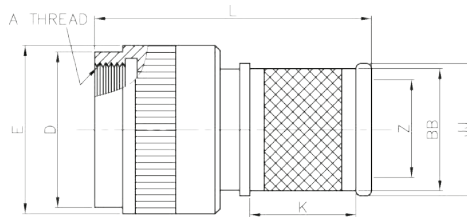
MS3475



Shell Size	A Dia Max.	B Dia Max.	H Accessory Thread Class 2A
8	19.8	3.1	-5000-20 UNF
10	23.5	10.2	.6250-24 UNEF
12	26.5	13.5	.7500-20 UNEF
14	30.0	16.9	.8750-20 UNEF
16	33.1	20.0	1.0000-20 UNEF
18	35.3	22.0	1.0625-18 UNEF
20	38.9	25.2	1.1875-18 UNEF
22	42.0	28.4	1.3125-18 UNEF
24	45.1	31.5	1.4375-18 UNEF

MIL-DTL-26482 Series II

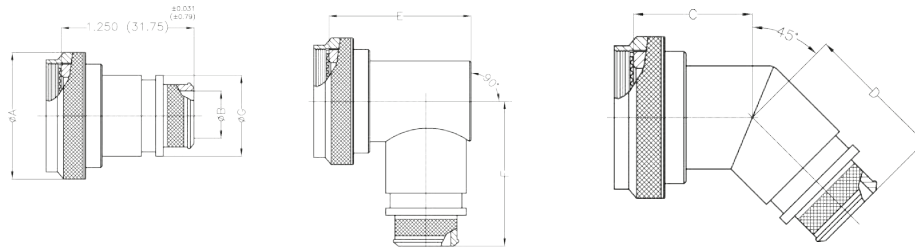
BK4S Drawing



Shell Size Designator	A Thread Class 2B	ØD Max. ± 1.50		ØE Max.		ØZ Cable Max.		ØBB Max.		ØJJ Max.		K Max.		L Max.	
		INCH	MM	INCH	MM	INCH	MM	INCH	MM	INCH	MM	INCH	MM	INCH	MM
8	0.500-20 UNEF	0.66	16.75	0.78	19.75	0.281	7.20	0.391	9.9	0.486	12.3	0.433	11.0	1.970	50.0
10	0.625-24 UNEF	0.78	19.93	0.90	22.93	0.338	8.60	0.493	12.5	0.587	14.9	0.433	11.0	2.090	53.1
12	0.750-20 UNEF	0.91	23.10	1.03	26.10	0.506	12.90	0.665	16.9	0.783	19.9	0.476	12.1	2.100	53.3
14	0.875-20 UNEF	1.03	26.28	1.15	29.28	0.562	14.30	0.744	18.9	0.862	21.9	0.476	12.1	2.210	56.1
16	1.000-20 UNEF	1.16	29.45	1.28	32.45	0.619	15.70	0.821	20.9	0.939	23.9	0.476	12.1	2.280	57.9
18	1.0625-18 UNEF	1.22	31.02	1.34	34.02	0.675	17.10	0.891	22.6	1.010	25.6	0.476	12.1	2.360	59.9
20	1.1875-18 UNEF	1.35	34.22	1.47	37.22	0.731	18.60	0.954	24.2	1.072	27.2	0.476	12.1	2.400	61.0
22	1.3125-18 UNEF	1.47	37.37	1.59	40.37	0.843	21.40	1.095	27.8	1.213	30.8	0.476	12.1	2.520	64.0
24	1.4375-18 UNEF	1.60	40.57	1.72	43.57	0.900	22.86	1.160	29.4	1.276	32.4	0.476	12.1	2.520	64.0

MIL-DTL-26482 Series II

Other Backshells



All dimensions are in INCHES (mm)

Part Numbering System

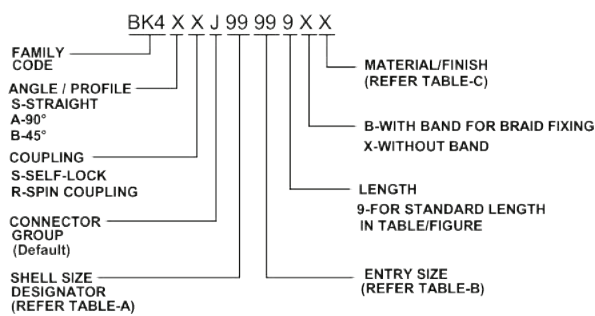


Table B

ENTRY SIZE	ØB +0.010-0.020 (+0.25-0.50)		ØG MAX	
	INCH	MM	INCH	MM
02	0.124	3.17	0.208	9.80
03	0.187	4.75	0.528	13.40
04	0.250	6.35	0.547	13.90
05	0.311	7.92	0.591	15.00
06	0.374	9.52	0.657	16.70
07	0.437	11.12	0.717	18.20
08	0.500	12.70	0.780	19.80
09	0.562	14.30	0.843	21.40
10	0.625	15.88	0.906	23.00
11	0.688	17.50	0.969	24.60
12	0.750	19.05	1.031	26.20
13	0.812	20.65	1.094	27.80
14	0.875	22.23	1.157	29.40
15	0.938	23.83	1.220	31.00
16	1.000	25.40	1.283	32.60
17	1.082	27.50	1.346	34.20
18	1.125	28.58	1.409	35.80
19	1.208	30.70	1.472	37.40
20	1.250	31.75	1.535	39.00
21	1.333	33.88	1.598	40.60
22	1.374	34.92	1.661	42.20
23	1.440	36.58	1.744	44.29
24	1.500	38.10	1.787	45.40

Table A

SHELL SIZE DESIGNATOR	MAX. ENTRY SIZE (Normal Style)	CONNECTOR SHELL SIZE/CODE	ØA MAX.		C MAX.		D MAX.		F MAX.		E MAX.	
			INCH	MM	INCH	MM	INCH	MM	INCH	MM	INCH	MM
08	04	8/8S	0.885	22.48	0.519	13.20	1.150	29.21	1.279	32.51	0.839	21.33
10	06	10/10S/10SL	1.010	25.65	0.540	13.72	1.170	29.72	1.339	34.03	0.970	24.64
12	08	12/12S	1.135	28.83	0.570	14.48	1.200	30.50	1.409	35.81	1.090	27.69
14	10	14/14S	1.260	32.00	0.590	14.99	1.230	31.25	1.469	37.33	1.219	30.98
16	12	16/16S	1.385	35.18	0.620	15.75	1.250	31.75	1.529	38.86	1.339	34.03
18	14	18	1.510	38.35	0.629	16.00	1.259	32.00	1.589	40.38	1.409	35.81
20	15	20	1.635	41.53	0.659	16.76	1.289	32.76	1.659	42.16	1.529	38.86
22	17	22	1.760	44.70	0.681	17.30	1.320	33.53	1.719	43.68	1.659	42.16
24	20	24	1.885	47.88	0.708	18.00	1.339	34.03	1.779	45.21	1.779	45.21

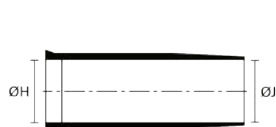
Table C

Code	Material/Finish
N	Aluminium Alloy/Electroless Nickel
W	Aluminium Alloy/Cadmium Olive drab over Electroless Nickel.
Y	Aluminum Alloy/Zinc-cobalt dark olive drab over Electroless Nickel.
S	Stainless Steel/Passivate
K	Nickle Aluminium Bronze/Shot blast

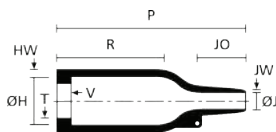
Note: When maximum Cable Entry Exceed's consult MATEC Electronics.

MIL-DTL-26482 Series II

Straight Boot: B1 Style



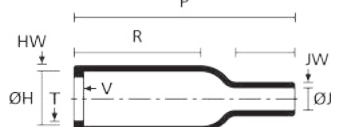
a. Expanded form (supplied)



b. Fully recovered form (after heating)



a. Expanded form (supplied)



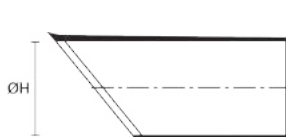
b. Fully recovered form (after heating)

Connector Shell Size	ØH Min. A	ØH Max. B	ØJ Min. A	ØJ Max. B	P ± 10%	R ± 10%	JO ± 10%	HW ± 20%	JW ± 20%	V ± 10%	T ± 20%
B=11	24.0 (.94")	10.5 (.41")	24.0 (.94")	6.0 (.23")	38.0 (1.48")	21.0 (.82")	10.0 (.39")	1.6 (.06")	0.5 (.02")	3.0 (.12")	1.0 (.04")
C=13 / D=15	25.0 (.98")	14.0 (.55")	9.0 (.35")	3.5 (.14")	55.0 (2.15")	28.0 (1.09")	16.0 (.62")	1.8 (.07")	0.5 (.02")	3.0 (.12")	1.0 (.04")
E=17 / F=19	31.0 (1.21")	18.0 (.7")	31.0 (1.21")	7.0 (.27")	67.0 (2.61")	35.0 (1.37")	18.0 (.7")	1.8 (.07")	1.0 (.04")	3.0 (.12")	1.0 (.04")
G=21 / H=23	36.0 (1.4")	22.5 (.88")	36.0 (1.4")	8.5 (.33")	80.0 (3.12")	42.0 (1.64")	20.0 (.78")	2.0 (.08")	1.0 (.04")	3.0 (.12")	1.0 (.04")
J=25	43.0 (1.68")	28.0 (1.09")	43.0 (1.68")	10.0 (.39")	79.0 (3.08")	41.0 (1.6")	20.0 (.78")	2.2 (.09")	1.0 (.04")	3.0 (.12")	1.7 (.08")

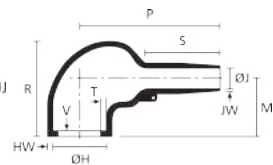
Connector Shell Size	ØH Min. A	ØH Max. B	ØJ Min. A	ØJ Max. B	P ± 10%	R ± 10%	JO ± 10%	HW ± 20%	JW ± 20%	V ± 10%	T ± 20%
A=9	16.5 (.64")	7.9 (.31")	16.5 (.64")	3.8 (.15")	25.4 (.99")	14.2 (.55")	1.3 (.05")	1.3 (.05")	3.0 (.12")	1.0 (.04")	6.9 (.27")

Dimensions in mm, inches in brackets. Subject to technical changes.

90 Degree Boot: B2 Style



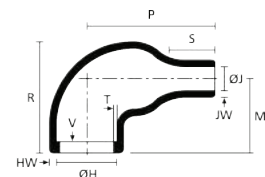
a. Expanded form (supplied)



b. Fully recovered form (after heating)



a. Expanded form (supplied)



b. Fully recovered form (after heating)

Connector Shell Size	ØH Min. A	ØH Max. B	ØJ Min. A	ØJ Max. B	P ± 10%	R ± 10%	HW ± 20%	JW ± 20%	V ± 10%	T ± 20%	M Nom.	S Nom.
B=11	24.0 (.94")	10.5 (.41")	24.0 (.94")	6.0 (.23")	26.0 (1.01")	25.0 (.98")	1.3 (.05")	0.5 (.02")	3.0 (.12")	1.0 (.04")	19.0 (.74")	10.0 (.39")
C=13	30.0 (1.17")	15.5 (.6")	30.0 (1.17")	6.0 (.23")	32.0 (1.25")	27.0 (1.05")	1.5 (.06")	0.8 (.03")	3.0 (.12")	1.0 (.04")	19.0 (.74")	12.0 (.47")
D=15	31.0 (1.21")	18.0 (.7")	31.0 (1.21")	7.0 (.27")	40.0 (1.56")	31.0 (1.21")	1.8 (.07")	1.0 (.04")	3.0 (.12")	1.0 (.04")	21.0 (.82")	15.0 (.59")
E=17	36.0 (1.4")	22.5 (.88")	36.0 (1.4")	8.5 (.33")	46.0 (1.79")	38.0 (1.48")	1.8 (.07")	1.0 (.04")	3.0 (.12")	1.0 (.04")	26.0 (1.01")	15.0 (.59")
F=19	43.0 (1.68")	28.5 (1.11")	43.0 (1.68")	10.0 (.39")	55.0 (2.15")	45.0 (1.76")	2.0 (.08")	1.0 (.04")	3.0 (.12")	1.7 (.07")	30.0 (1.17")	16.0 (.62")

Connector Shell Size	ØH Min. A	ØH Max. B	ØJ Min. A	ØJ Max. B	P ± 10%	R ± 10%	HW ± 20%	JW ± 20%	V ± 10%	T ± 20%	M Nom.	S Nom.
A=9	16.5 (.64")	7.9 (.31")	16.5 (.64")	2.5 (.1")	18.3 (.71")	20.1 (.78")	1.0 (.04")	1.5 (.06")	1.6 (.06")	3.3 (.13")	1.0 (.04")	5.1 (.2")

Material Combinations:

Material Description: Fluid resistant elastomer
 Minimum Shrink Temperature: +275°F (+135°C)
 Operating Temperature Range: -103°F to +302°F
 (-75°C to +150°C)

Adhesive Specifications:

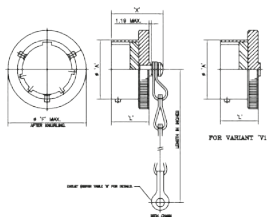
Adhesive: High performance, pre-coat, 1 part epoxy
 Operating Temperature: -94°F to +428°F
 (-75°C to +200°C)

Solvent Resistance
 De-icing Fluid: Excellent
 Petrol: Excellent
 Lubricating Oil: Excellent
 Hydraulic Oil: Excellent

Dimensions in mm, inches in brackets. Subject to technical changes.

MIL-DTL-26482 Series II

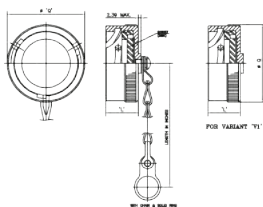
Metal Dust Cap Assembly For MIL-DTL-26482 Plug



Shell Size	ØA Ref.	ØF Max. Overall	L Max. Length	X Max. Overall	ØF +0.00/-0.08 FOR H/O. D/CAP.
8	12.01	18.26	14.27	19.84	22.10
10	14.99	21.44			24.86
12	19.05	25.40			29.24
14	22.22	28.58			32.41
16	25.40	31.75			35.58
18	28.58	34.92			38.22
20	31.75	38.10	15.88	21.44	41.94
22	34.92	41.28			45.11
24	38.10	44.45			16.71

All dimensions are in INCHES (mm)

Metal Dust Cap Assembly For MIL-DTL-26482 Receptacle



Shell Size	L Max.	ØN Min.	ØQ Max.	X Max.
8	14.27	14.68	18.64	21.44
10		17.86	21.82	
12		22.63	25.40	
14		25.81	28.58	
16		28.98	31.75	
18		32.16	34.92	
20	35.33	38.10	15.88	21.44
22	38.51	41.28		
24	41.68	44.45		

Ring Information

IMB 3180 DB A F D1 4 V1

Basic Series
MIL 26482

3180 - Plug Dust Cap
3181 - Receptacle Dust Cap

Shell Size: 08, 10, 12, 14, 16, 18 & 20, 22, 24

Class

- Aluminium
- A - Hard anodic
- B - Zinc nickel finish
- F - 48 hrs. electroless nickel
- T - PTFE nickel plating
- W - 500 hrs. cadmium olive drab
- EB - Cad. free zinc cobalt-olive drab finish
- FB - Cad. free zinc cobalt-black finish
- SD - Zinc nickel finish (Black)
- Composite
- J* - Composite, cadmium olive drab
- M* - Composite electroless nickel
- NB - Nickel aluminium bronze
- CD - S. steel passivated

Variant:
V1 - Without Rivet & Attachment
NEGLECT IF NOT APPLICABLE*
Cable Length (In Inches)
NEGLECT IF NOT APPLICABLE*

Dash No
For eyelet Table B
For solid ring Table C, D & E
WF: With Ferrule (Supplied loose)
Ø: With out eyelet & ring
TR - With Tie-Wrap
NEGLECT IF NOT APPLICABLE*

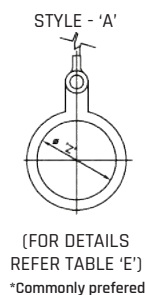
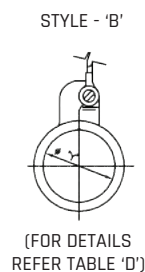
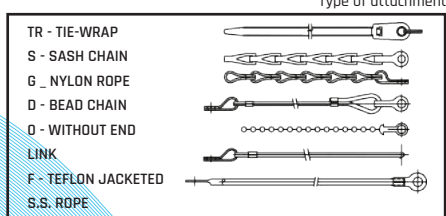
Type of Attachment
D - Bead chain passivated
F - Wire rope with teflon jacket
G - Nylon cord (Green)
S - Sash chain passivated
N - No attachment
H - Wire rope with nylon jacket
B - Nylon cord (Black)
NEGLECT IF NOT APPLICABLE*

Dash No	Inner Dia ±0.30
00	No Eyelet
01	3.60
02	4.50
03	4.90
04	5.00
05	4.20
06	3.20
07	5.50
09	4.00

Dash No	Ø 'X' ±0.40
50	10.80
52	12.30
54	16.30
56	19.10
58	22.60
60	25.80
62	27.80
64	28.70
66	31.80
68	34.30
70	35.30
72	37.70
74	41.30
76	44.50
78	47.60
80	50.30
82	52.30
84	56.80
86	58.70
88	62.90
90	67.40
92	71.40
94	77.30

Dash No	Ø 'Y' ±0.40
08	11.90
10	15.10
12	18.20
13	19.40
14	21.40
15	22.60
16	24.60
17	25.80
18	27.80
19	29.00
20	30.60
21	32.10
22	34.10
23	36.90
24	37.70
25	40.10
27	41.70
28	42.80
29	44.80
30	48.00
31	49.60
32	50.00
33	52.80
35	54.40
36	55.50
40	61.10
44	67.50
48	77.00
118	7.90

Dash No	Ø 'Y' ±0.40
095	7.90
100	9.90
101	13.10
102	14.80
103	16.30
104	18.00
105	19.50
106	22.20
107	25.80
108	29.00
109	32.20
110	35.30
111	38.60
112	41.70
113	44.90
114	48.00
115	52.80
116	61.10
117	63.80
205	20.00
206	23.00
207	26.00
208	30.60
209	33.30
210	36.50
211	39.00
213	46.00
214	49.20
308	30.20





MATEC Electronics is an authorized and leading distributor, that specializes on the design and custom-engineered connectors, cables and electronic interconnect solutions for Military-Aerospace, Industry and Telecom market fields. MATEC's deep technical and commercial knowledge on it's concentrated product portfolio has made the company the chosen distributor of the customers in the region it serves Turkey, Middle East, Africa, Eastern Europe. MATEC Electronics mainly distributes world's leading interconnect manufacturer, Amphenol. The company provides not only sales channel for Amphenol, but also give services to it's valuable customers with highly experienced field application engineers and inside customer services.

Add to the large product portfolio of Amphenol, MATEC Electronics also represents Reflex Photonics, Energy Power and Bufab.

Head Office

Ahi Evran Cad. No: 21
Kat: 4 Daire: 24
Polaris Plaza Maslak,
Sariyer, ISTANBUL

Branch Office

Bestepe Mah.
Nergis Sok. Via Flat
Kat: 3 No: 7/2
Sogutozu, ANKARA

Warehouse

Tatlisu Mah.
Ersoy Sok.
No: 3
Umraniye, ISTANBUL

www.matec.com.tr
info@matec.com.tr
+90 216 365 80 10